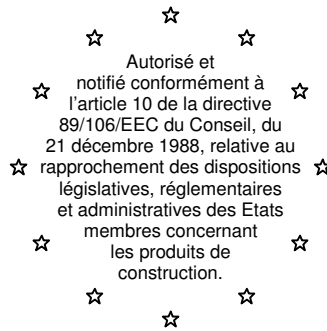


Centre Scientifique et Technique du Bâtiment

84 avenue Jean Jaurès
CHAMPS-SUR-MARNE
F-77447 Marne-la-Vallée Cedex 2
Tél. : (33) 01 64 68 82 82
Fax : (33) 01 60 05 70 37



CSTB
le futur en construction

MEMBRE DE L'EOTA

European Technical Approval

ETA-99/0002

(English language translation, the original version is in French language)

Nom commercial :

Trade name:

Titulaire :

Holder of approval:

Type générique et utilisation prévue du produit de construction :

Generic type and use of construction product:

Validité du :

au :

Validity from / to:

Usine de fabrication :

Manufacturing plant:

Le présent Agrément technique européen contient :

This European Technical Approval contains:

Spit FIX Z

Société Spit

Route de Lyon

F-26501 BOURG-LES-VALENCE

France

Cheville métallique électrozinguée, à expansion par vissage à couple contrôlé, de fixation dans le béton : diamètres M8, M10, M12 et M16.

Torque-controlled expansion anchor, made of zinc electroplated steel, for use in concrete: sizes M8, M10, M12 and M16.

10/04/2007

10/04/2012

Société Spit

Route de Lyon

F-26501 BOURG-LES-VALENCE

France

15 pages incluant 7 annexes faisant partie intégrante du document.

15 pages including 7 annexes which form an integral part of the document.

This European Technical Approval replaces ETA-99/0002 with validity from 31/03/2004 to 31/03/2009

Cet Agrément Technique Européen remplace l'Agrément ETA-99/0002 valide du 31/03/2004 au 31/03/2009



Organisation pour l'Agrément Technique Européen
European Organisation for Technical Approvals

I LEGAL BASES AND GENERAL CONDITIONS

1. This European Technical Approval is issued by the Centre Scientifique et Technique du Bâtiment in accordance with:
 - Council Directive 89/106/EEC of 21 December 1988 on the approximation of laws, regulations and administrative provisions of Member States relating to construction products¹, modified by the Council Directive 93/68/EEC of 22 July 1993²;
 - Décret n° 92-647 du 8 juillet 1992³ concernant l'aptitude à l'usage des produits de construction;
 - Common Procedural Rules for Requesting, Preparing and the Granting of European Technical Approvals set out in the Annex of Commission Decision 94/23/EC⁴;
 - Guideline for European Technical Approval of « Metal Anchors for use in Concrete » ETAG 001, edition 1997, Part 1 « Anchors in general » and Part 2 « Torque-controlled expansion anchors ».
2. The Centre Scientifique et Technique du Bâtiment is authorised to check whether the provisions of this European Technical Approval are met. Checking may take place in the manufacturing plant (for example concerning the fulfilment of assumptions made in this European Technical Approval with regard to manufacturing). Nevertheless, the responsibility for the conformity of the products with the European Technical Approval and for their fitness for the intended use remains with the holder of the European Technical Approval.
3. This European Technical Approval is not to be transferred to manufacturers or agents of manufacturer other than those indicated on page 1; or manufacturing plants other than those indicated on page 1 of this European Technical Approval.
4. This European Technical Approval may be withdrawn by the Centre Scientifique et Technique du Bâtiment pursuant to Article 5 (1) of the Council Directive 89/106/EEC.
5. Reproduction of this European Technical Approval including transmission by electronic means shall be in full. However, partial reproduction can be made with the written consent of the Centre Scientifique et Technique du Bâtiment. In this case partial reproduction has to be designated as such. Texts and drawings of advertising brochures shall not contradict or misuse the European Technical Approval.
6. The European Technical Approval is issued by the approval body in its official language. This version corresponds to the version circulated within EOTA. Translations into other languages have to be designated as such.

¹ Official Journal of the European Communities n° L 40, 11.2.1989, p. 12

² Official Journal of the European Communities n° L 220, 30.8.1993, p. 1

³ Journal officiel de la République française du 14 juillet 1992

⁴ Official Journal of the European Communities n° L 17, 20.1.1994, p. 34

II SPECIFIC CONDITIONS OF THE EUROPEAN TECHNICAL APPROVAL

1 Definition of product and intended use

1.1. Definition of product

The Spit FIX Z anchor in the range of M8 to M16 is an anchor made of zinc electroplated steel, which is placed into a drilled hole and anchored by torque-controlled expansion. For the installed anchor see Figure given in Annex 1.

1.2. Intended use

The anchor is intended to be used for anchorages for which requirements for mechanical resistance and stability and safety in use in the sense of the Essential Requirements 1 and 4 of Council Directive 89/106/EEC shall be fulfilled and failure of anchorages made with these products would compromise the stability of the works, cause risk to human life and/or lead to considerable economic consequences.

The anchor is to be used only for anchorages subject to static or quasi-static loading in reinforced or unreinforced normal weight concrete of strength classes C20/25 minimum to C50/60 maximum according to ENV 206-1: 2000-12. It may be anchored in cracked and non-cracked concrete.

The anchor may only be used in concrete subject to dry internal conditions.

The anchor may be used for anchorages with requirements related to resistance to fire.

The provisions made in this European Technical Approval are based on an assumed intended working life of the anchor of 50 years. The indications given on the working life cannot be interpreted as a guarantee given by the producer, but are to be regarded only as a means for choosing the right products in relation to the expected economically reasonable working life of the works.

2 Characteristics of product and methods of verification

2.1. Characteristics of product

The anchor in the range of M8 to M16 corresponds to the drawings and provisions given in Annexes 1 to 3. The characteristic material values, dimensions and tolerances of the anchor not indicated in Annexes 2 and 3 shall correspond to the respective values laid down in the technical documentation⁵ of this European Technical Approval. The characteristic anchor values for the design of anchorages are given in Annexes 3 to 6. The characteristic anchor values for the design of anchorages regarding resistance to fire are given in Annexes 7 and 8. They are valid for use in a system that is required to provide a specific fire resistance class.

⁵ The technical documentation of this European Technical Approval is deposited at the Centre Scientifique et Technique du Bâtiment and, as far as relevant for the tasks of the approved bodies involved in the attestation of conformity procedure, is handed over to the approved bodies.

Each anchor is marked with the identifying mark of the producer, the commercial name, the nominal diameter of the anchor and the maximum thickness of the fixture according to Annex 1. A letter code corresponding to the total length of the bolt is punched on the head of the bolt.

The anchor shall only be packaged and supplied as a complete unit.

2.2. Methods of verification

The assessment of fitness of the anchor for the intended use in relation to the requirements for mechanical resistance and stability and safety in use in the sense of the Essential Requirements 1 and 4 has been made in accordance with the « Guideline for European Technical Approval of Metal Anchors for use in Concrete », Part 1 « Anchors in general » and Part 2 « Torque-controlled expansion anchors », on the basis of Option 1.

The assessment of the anchor for the intended use in relation to the requirements for resistance to fire has been made in accordance with the Technical Report N°020 "Evaluation of anchorages in concrete concerning resistance to fire".

3 Evaluation of Conformity and CE marking

3.1. Attestation of conformity system

The system of attestation of conformity 2 (i) (referred to as system 1) according to Council Directive 89/106/EEC Annex III laid down by the European Commission provides:

a) tasks for the manufacturer:

1. factory production control,
2. further testing of samples taken at the factory by the manufacturer in accordance with a prescribed test plan.

b) tasks for the approved body:

3. initial type-testing of the product,
4. initial inspection of factory and of factory production control,
5. continuous surveillance, assessment and approval of factory production control.

3.2. Responsibilities

3.2.1. Tasks of the manufacturer, factory production control

The manufacturer has a factory production control system in the plant and exercises permanent internal control of production. All the elements, requirements and provisions adopted by the manufacturer are documented in a systematic manner in the form of written policies and procedures. This production control system ensures that the product is in conformity with the European Technical Approval.

The manufacturer shall only use raw materials supplied with the relevant inspection documents as laid down in the prescribed test plan⁶. The incoming raw materials shall be subject to controls and tests by the manufacturer before acceptance. Check of incoming materials such as nuts, washers, wire for bolts and metal band for expansion sleeves shall include control of the inspection documents presented by suppliers (comparison with nominal values) by verifying dimension and determining material properties, e.g. tensile strength, hardness, surface finish.

The manufactured components of the anchor shall be subjected to the following tests:

- Dimensions of component parts:
 - bolt (diameters, lengths, thread, angle of the cone, roughness of the cone);
 - sleeve (length, thickness, catch sizes);
 - hexagonal nut (proper running, wrench size across flats);
 - washer (diameters, thickness).
- Material properties: bolt (yielding and ultimate tensile strengths, hardness), sleeve (yielding and ultimate tensile strengths, hardness), hexagonal nut (strength), washer (hardness).
- Thickness of the zinc electroplated treatment of the elements.
- Visual control of correct assembly and of completeness of the anchor.

The frequency of controls and tests conducted during production and on the assembled anchor is laid down in the prescribed test plan taking account of the automated manufacturing process of the anchor.

The results of factory production control are recorded and evaluated. The records include at least the following information:

- designation of the product, basic material and components;
- type of control or testing;
- date of manufacture of the product and date of testing of the product or basic material and components;
- result of control and testing and, if appropriate, comparison with requirements;
- signature of person responsible for factory production control.

The records shall be presented to the inspection body during the continuous surveillance. On request, they shall be presented to the Centre Scientifique et Technique du Bâtiment.

Details of the extent, nature and frequency of testing and controls to be performed within the factory production control shall correspond to the prescribed test plan which is part of the technical documentation of this European Technical Approval.

3.2.2. Tasks of approved bodies

3.2.2.1. Initial type-testing of the product

For initial type-testing the results of the tests performed as part of the assessment for the European Technical Approval shall be used unless there are changes in the production line or plant. In such cases the necessary initial type-testing has to be agreed between the Centre Scientifique et Technique du Bâtiment and the approved bodies involved.

3.2.2.2. Initial inspection of factory and of factory production control

⁶ The prescribed test plan has been deposited at the Centre Scientifique et Technique du Bâtiment and is handed over only to the approved bodies involved in the conformity attestation procedure.

The approved body shall ascertain that, in accordance with the prescribed test plan, the factory and the factory production control are suitable to ensure continuous and orderly manufacturing of the anchor according to the specifications mentioned in 2.1. as well as to the Annexes to the European Technical Approval.

3.2.2.3. Continuous surveillance

The approved body shall visit the factory at least once a year for routine inspection. It has to be verified that the system of factory production control and the specified automated manufacturing process are maintained taking account of the prescribed test plan.

Continuous surveillance and assessment of factory production control have to be performed according to the prescribed test plan.

The results of product certification and continuous surveillance shall be made available on demand by the certification body or inspection body, respectively, to the Centre Scientifique et Technique du Bâtiment. In cases where the provisions of the European Technical Approval and the prescribed test plan are no longer fulfilled the conformity certificate shall be withdrawn.

3.3. CE-Marking

The CE marking shall be affixed on each packaging of anchors. The symbol « CE » shall be accompanied by the following information:

- identification number of the certification body;
- name or identifying mark of the producer and manufacturing plant;
- the last two digits of the year in which the CE-marking was affixed;
- number of the EC certificate of conformity;
- number of the European Technical Approval;
- use category (ETAG 001-1 Option 1);
- size.

4 Assumptions under which the fitness of the product for the intended use was favourably assessed

4.1. Manufacturing

The anchor is manufactured in accordance with the provisions of the European Technical Approval using the automated manufacturing process as identified during inspection of the plant by the Centre Scientifique et Technique du Bâtiment and the approved body and laid down in the technical documentation.

4.2. Installation

4.2.1. Design of anchorages

The fitness of the anchors for the intended use is given under the following conditions:

The anchorages are designed in accordance with the « Guideline for European Technical Approval of Metal Anchors for Use in Concrete », Annex C, Method A, for torque-controlled expansion anchors under the responsibility of an engineer experienced in anchorages and concrete work.

Verifiable calculation notes and drawings are prepared taking account of the loads to be anchored.

The position of the anchor is indicated on the design drawings (e.g. position of the anchor relative to reinforcement or to support, etc.).

The design of anchorages under fire exposure has to consider the conditions given in the Technical Report N°020 “Evaluation of anchorages in concrete concerning resistance to fire”. The relevant characteristic anchor values are given in Annex 6 Table 8 for resistance to fire under tension loads and in Annex 7 Table 9 for resistance to fire under shear loads. The design method covers anchors with a fire attack from one side only. If the fire attack is from more than one side, the design method may be taken only if the edge distance of the anchor is $c \geq 300$ mm.

4.2.2. Installation of anchors

The fitness for use of the anchor can only be assumed if the anchor is installed as follows:

- anchor installation carried out by appropriately qualified personnel and under the supervision of the person responsible for technical matters on the site;
- use of the anchor only as supplied by the manufacturer without exchanging the components of an anchor;
- anchor installation in accordance with the manufacturer’s specifications and drawings prepared for that purpose and using the appropriate tools;
- checks before placing the anchor to ensure that the strength class of the concrete in which the anchor is to be placed is in the range given and is not lower than that of the concrete to which the characteristic loads apply;
- check of concrete being well compacted, e.g. without significant voids;
- clearing the hole of drilling dust;
- anchor installation ensuring the specified embedment depth: embedment depth control;
- keeping of the edge distance and spacing to the specified values without minus tolerances;
- positioning of the drill holes without damaging the reinforcement;
- in case of aborted hole: new drilling at a minimum distance away of twice the depth of the aborted hole or smaller distance if the aborted drill hole is filled with high strength mortar and if under shear or oblique tension load it is not to the anchor in the direction of load application;
- application of the torque moment given in Annex 3 using a calibrated torque wrench.

4.2.3. Responsibility of the manufacturer

It is the manufacturer’s responsibility to ensure that the information on the specific conditions according to 1 and 2 including Annexes referred to in 4.2.1. and 4.2.2. is given to those who are concerned. This information may be made by reproduction of the respective parts of the European Technical Approval. In addition all installation data shall be shown clearly on the package and/or on an enclosed instruction sheet, preferably using illustration(s).

The minimum data required are:

- drill bit diameter,
- thread diameter,
- maximum thickness of the fixture,
- minimum embedment depth,
- minimum hole depth,
- required torque moment,

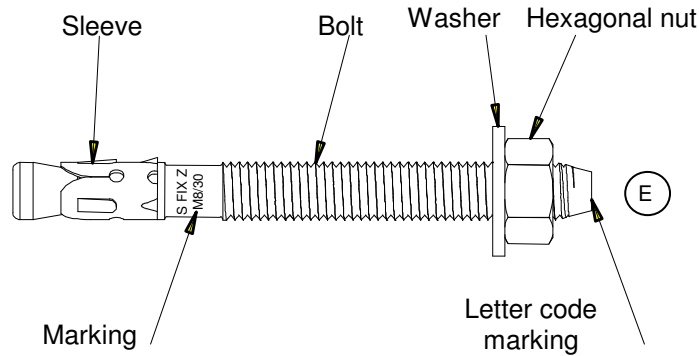
- information on the installation procedure, including cleaning of the hole, preferably by means of an illustration,
- reference to any special installation equipment needed,
- identification of the manufacturing batch.

All data shall be presented in a clear and explicit form.

The original French version is signed by

**Le Directeur Technique
H.BERRIER**

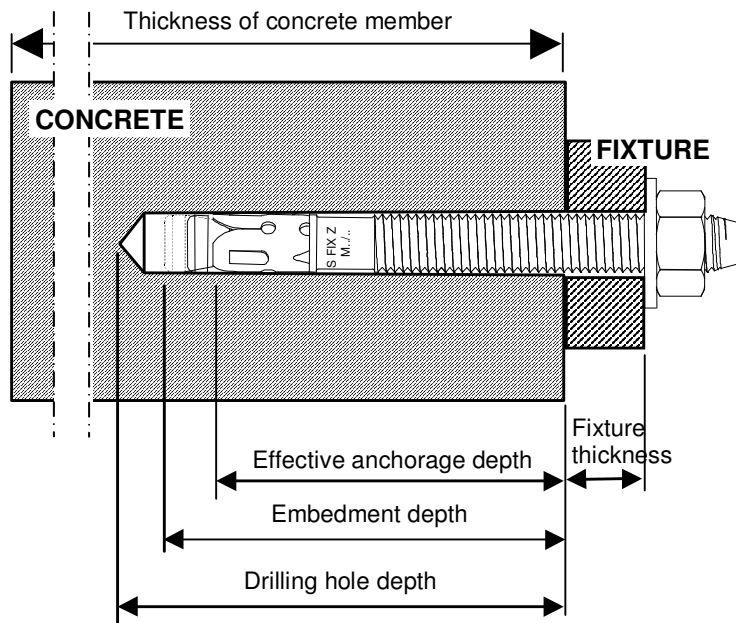
Assembled anchor:



Marking: on the bolt, S FIX Z identifying mark of the producer and commercial name.
 on the head, M8/30 nominal diameter and maximum fixture thickness $t_{fix,max}$.
 E letter code that is function of the total length of the bolt
 (based on the International Conference of Building Officials system).

Letter code	A	B	C	D	E	F	G	H	I	J	K	L	M
Total length of the bolt (mm)	38 < < 51	51 < < 63	63 < < 76	76 < < 89	89 < < 102	102 < < 114	114 < < 127	127 < < 140	140 < < 152	152 < < 165	165 < < 178	178 < < 191	191 < < 203
Letter code	N	O	P	Q	R	S	T	U	V	W	X	Y	Z
Total length of the bolt (mm)	203 < < 216	216 < < 229	229 < < 241	241 < < 254	254 < < 279	279 < < 305	305 < < 330	330 < < 356	356 < < 381	381 < < 406	406 < < 432	432 < < 457	457 < < 483

Schema of the anchor in use:



Spit FIX Z torque-controlled expansion anchor	Annex 1 of European Technical Approval ETA-99/0002
Product and intended use	

Assembled anchor:

Bolt and sleeve of the anchor:

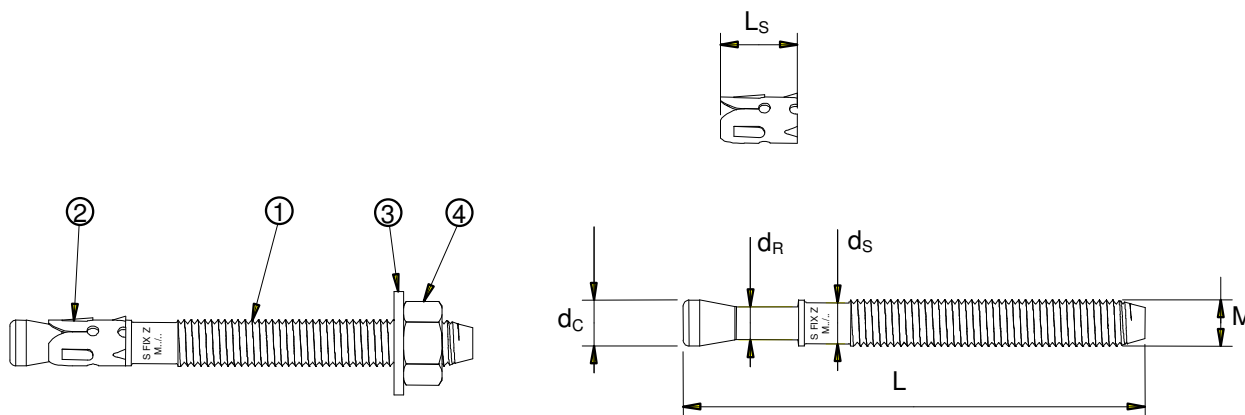


Table 1: Materials

Part	Designation	Material	Protection
1	Bolt	M8: DIN 1654 part 2 or 4, cold form steel M10 and M12: DIN 1654 part 2 or 4, cold form steel SAE J 403, cold form steel 1021 M16: DIN 1654 part 2 or 4, cold form steel	NFA 91102, Zinc electroplated Zn5C/Fe (5 µm)
2	Sleeve	EN 10088, cold-rolled stainless steel 1.4404, finish 2B	
3	Washer	NFE 25514, steel	NFE 25009, Zinc electroplated (5 µm)
4	Hexagonal nut EN 24032	EN 20898-2, strength grade 8	

Table 2: Dimensions

Anchor type	L (mm)		M	d _C (mm)	d _S (mm)	d _R (mm)	L _S (mm)
	min.	max.					
S FIX Z M8 x L	70	110	M8	8	7,1	5,6	14,7
S FIX Z M10 x L	85	140	M10	9,9	8,9	7,3	18
S FIX Z M12 x L	100	220	M12	11,9	10,7	8,6	20
S FIX Z M16 x L	135	210	M16	15,9	14,6	11,6	24

Spit FIX Z torque-controlled expansion anchor

Annex 2

Materials and dimensions of anchors

of European Technical Approval
ETA-99/0002

Schema of the anchor in use:

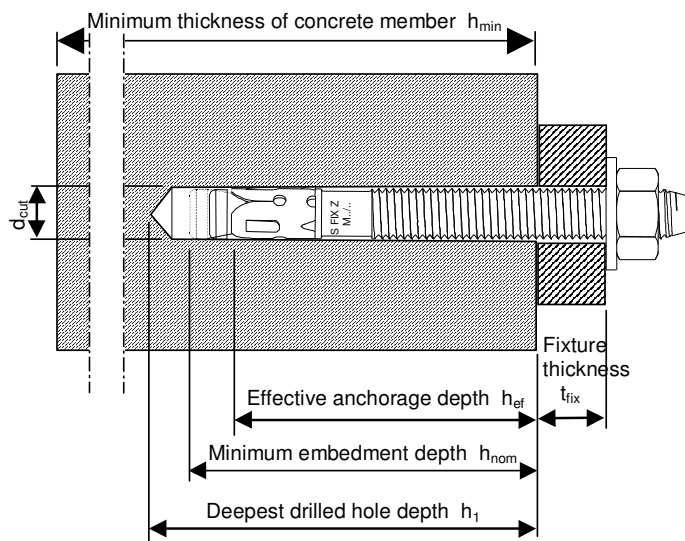


Table 3: Installation data

Anchor type	Code letter marking	d_{cut} (mm) (1)	d_f (mm) (2)	T_{inst} (Nm) (3)	h_{min} (mm) (4)	h_1 (mm) (5)	h_{nom} (mm) (6)	h_{ef} (mm) (7)	$t_{fix,max}$ (mm) (8)
M8 x 70	C	8	9	20	100	65	55	46	9
M8 x 90	E								29
M8 x 110	F								49
M10 x 85	D	10	12	35	120	80	68	58	9
M10 x 95	E								20
M10 x 140	I								64
M12 x 100	E	12	14	50	140	95	80	68	8
M12 x 115	G								23
M12 x 140	I								48
M12 x 180	L								88
M12 x 220	O								128
M16 x 135	H	16	18	100	160	115	97	82	22
M16 x 170	K								57
M16 x 210	N								97

- | | |
|---|--|
| (1) Nominal diameter of drill bit, d_{cut} (mm) | (5) Depth of drilled hole to deepest point, h_1 (mm) |
| (2) Diameter of clearance hole in the fixture, d_f (mm) | (6) Minimum installation depth, h_{nom} (mm) |
| (3) Required torque moment, T_{inst} (Nm) | (7) Effective anchorage depth, h_{ef} (mm) |
| (4) Minimum thickness of concrete member, h_{min} (mm) | (8) Maximum thickness of the fixture, $t_{fix,max}$ (mm) |

Cracked concrete and non-cracked concrete			M8	M10	M12	M16
Cracked concrete	Minimum spacing	S_{min} (mm)	50	60	70	80
	for $C \geq$	(mm)	65	80	100	125
Cracked concrete	Minimum edge distance	C_{min} (mm)	50	60	75	80
	for $S \geq$	(mm)	75	100	170	175
Non-cracked concrete	Minimum spacing	S_{min} (mm)	50	60	70	80
	for $C \geq$	(mm)	90	115	130	125
Non-cracked concrete	Minimum edge distance	C_{min} (mm)	50	60	75	80
	for $S \geq$	(mm)	75	100	170	175

Spit FIX Z torque-controlled expansion anchor

Installation data

Annex 3

of European Technical Approval
ETA-99/0002

Table 4: Characteristic values of resistance to tension loads of design method A

			M8	M10	M12	M16
Steel failure						
Characteristic resistance	$N_{Rk,s}$	(kN)	18	26	37	56
Partial safety factor	γ_{Ms}	-	1,40	1,40	1,40	1,40
Pull-out failure						
Characteristic resistance in cracked concrete C20/25	$N_{Rk,p}$	(kN)	5	9	12	20
Characteristic resistance in non-cracked concrete C20/25	$N_{Rk,p}$	(kN)	9	16	20	35
Partial safety factor in cracked and non-cracked concrete	γ_2	-	1,4			
	γ_{Mp}	-	2,10			
Increasing factors for N_{Rk} for cracked and non-cracked concrete	C30/37	Ψ_C	-	1,22		
	C40/50			1,41		
	C50/60			1,55		
Concrete cone failure and splitting failure						
Effective anchorage depth	h_{ef}	(mm)	46	58	68	82
Partial safety factor in cracked and non-cracked concrete	γ_2	-	1,4			
	$\gamma_{Mc} = \gamma_{M,sp}$	-	2,10			
Spacing	$S_{Cr,N}$	(mm)	138	174	204	246
	$S_{Cr,sp}$	(mm)	276	290	340	410
Edge distance	$C_{Cr,N}$	(mm)	69	87	102	123
	$C_{Cr,sp}$	(mm)	138	145	170	205

Table 5: Displacements under tension loads

		M8	M10	M12	M16
Tension load in cracked concrete	C20/25 (kN)	1,4	2,6	3,4	6,2
	C50/60 (kN)	2,2	4,0	5,3	9,7
Displacement	δ_{ND} (mm)	0,3	0,3	0,3	0,3
	$\delta_{N_{GD}}$ (mm)	1,3	1,2	1,1	1,0
Tension load in non cracked concrete	C20/25 (kN)	3,6	6,0	6,3	14,3
	C50/60 (kN)	5,6	9,2	9,7	22,1
Displacement	δ_{ND} (mm)	0,1	0,1	0,1	0,1
	$\delta_{N_{GD}}$ (mm)	1,3	1,2	1,1	1,0

Spit FIX Z torque-controlled expansion anchor

Design method A, characteristic values of resistance to tension loads; displacements

Annex 4

of European Technical Approval
ETA-99/0002

Table 6: Characteristic values of resistance to shear loads of design method A

				M8	M10	M12	M16
Steel failure without lever arm							
Characteristic resistance	cracked concrete	$V_{Rk,s}$	(kN)	11	17	23	35
	non-cracked concrete	$V_{Rk,s}$	(kN)	14	19	27	42
Partial safety factor		γ_{Ms}	-	1,50	1,25	1,25	1,26
Steel failure with lever arm							
Characteristic resistance		$M_{Rk,s}$	(Nm)	28	49	85	180
Partial safety factor		γ_{Ms}	-	1,50	1,25	1,25	1,26
Concrete pryout failure							
Factor in equation (5.6) of ETAG Annex C, § 5.2.3.3		k	-	1	1	2	2
Partial safety factor		γ_2	-	1,0			
		γ_{Mc}	-	1,50			
Concrete edge failure							
Effective length of anchor under shear loading		l_f	(mm)	46	58	68	82
Outside diameter of anchor		d_{nom}	(mm)	8	10	12	16
Partial safety factor		γ_2	-	1,0			
		γ_{Mc}	-	1,50			

Table 7: Displacements under shear loads

			M8	M10	M12	M16
Shear load in cracked concrete C20/25 to C50/60 (kN)			5,3	9,5	13,3	20,1
Displacement	δ_{N0}	(mm)	2,1 (+1,2)	2,1 (+1,8)	2,4 (+1,9)	2,8 (+1,9)
	$\delta_{N\infty}$	(mm)	3,2 (+1,2)	3,1 (+1,8)	3,5 (+1,9)	4,1 (+1,9)
Shear load in non-cracked concrete C20/25 to C50/60 (kN)			6,5	1,8	13,3	23,7
Displacement	δ_{N0}	(mm)	2,0 (+1,2)	2,2 (+1,8)	2,2 (+1,9)	1,8 (+1,9)
	$\delta_{N\infty}$	(mm)	3,0 (+1,2)	3,3 (+1,8)	3,3 (+1,9)	2,8 (+1,9)

Displacement: the table shows the deformation to be expected from the anchor itself, whilst the bracket value indicates the movement between the anchor body and the hole drilled in the concrete member or the hole in the fixture.

Spit FIX Z torque-controlled expansion anchor

Design method A, characteristic values of resistance to shear loads; displacements

Annex 5

of European Technical Approval
ETA-99/0002

Table 8 : Characteristic values of resistance to tension loads under fire exposure

Fire resistance duration = 30 minutes			M8	M10	M12	M16
Steel failure						
Characteristic resistance	$N_{Rk,s,fi,30}$	(kN)	0.9	1.4	4.7	8.8
Pull-out failure						
Characteristic resistance in concrete C20/25 to C50/60	$N_{Rk,p,fi,30}$	(kN)	1.3	2.3	3.0	5.0
Concrete cone failure						
Characteristic resistance in concrete C20/25 to C50/60	$N_{Rk,c,fi,30}$	(kN)	2.6	4.6	6.9	11.0
Fire resistance duration = 60 minutes						
Steel failure						
Characteristic resistance	$N_{Rk,s,fi,60}$	(kN)	0.7	1.1	3.5	6.4
Pull-out failure						
Characteristic resistance in concrete C20/25 to C50/60	$N_{Rk,p,fi,60}$	(kN)	1.3	2.3	3.0	5.0
Concrete cone failure						
Characteristic resistance in concrete C20/25 to C50/60	$N_{Rk,c,fi,60}$	(kN)	2.6	4.6	6.9	11.0
Fire resistance duration = 90 minutes						
Steel failure						
Characteristic resistance	$N_{Rk,s,fi,90}$	(kN)	0.5	0.8	2.2	4.1
Pull-out failure						
Characteristic resistance in concrete C20/25 to C50/60	$N_{Rk,p,fi,90}$	(kN)	1.3	2.3	3.0	5.0
Concrete cone failure						
Characteristic resistance in concrete C20/25 to C50/60	$N_{Rk,c,fi,90}$	(kN)	2.6	4.6	6.9	11.0
Fire resistance duration = 120 minutes						
Steel failure						
Characteristic resistance	$N_{Rk,s,fi,120}$	(kN)	0.4	0.6	1.5	2.9
Pull-out failure						
Characteristic resistance in concrete C20/25 to C50/60	$N_{Rk,p,fi,120}$	(kN)	1.0	1.8	2.4	4.0
Concrete cone failure						
Characteristic resistance in concrete C20/25 to C50/60	$N_{Rk,c,fi,120}$	(kN)	2.1	3.7	5.5	8.8
Spacing	$S_{cr,N}$	(mm)	$4 \times h_{ef}$			
	S_{min}	(mm)	50	60	70	80
Edge distance	$C_{cr,N}$	(mm)	$2 \times h_{ef}$			
	C_{min}	(mm)	cmin = 2 x h _{ef} ; if the fire attack is from more than one side, the edge distance of the anchor has to be ≥ 300 mm and ≥ 2 x h _{ef}			

In absence of other national regulation the partial safety factor for resistance under fire exposure $\gamma_{M,fi} = 1,0$ is recommended.

Spit FIX Z torque-controlled expansion anchor

Characteristic values of tension load under fire exposure

Annexe 6

of European Technical Approval
ETA-99/0002

Table 9 : Characteristic values of resistance to shear loads under fire exposure

Fire resistance duration = 30 minutes			M8	M10	M12	M16
Steel failure without lever arm						
Characteristic resistance	$V_{Rk,s,fi,30}$	(kN)	0.9	1.4	4.7	8.8
Steel failure with lever arm						
Characteristic bending resistance	$M_{Rk,s,fi,30}$	(kN)	0.9	1.8	7.3	18.7
Fire resistance duration = 60 minutes			M8	M10	M12	M16
Steel failure without lever arm						
Characteristic resistance	$V_{Rk,s,fi,60}$	(kN)	0.7	1.1	3.5	6.4
Steel failure with lever arm						
Characteristic bending resistance	$M_{Rk,s,fi,60}$	(kN)	0.7	1.4	5.4	13.7
Fire resistance duration = 90 minutes			M8	M10	M12	M16
Steel failure without lever arm						
Characteristic resistance	$V_{Rk,s,fi,90}$	(kN)	0.5	0.8	2.2	4.1
Steel failure with lever arm						
Characteristic bending resistance	$M_{Rk,s,fi,90}$	(kN)	0.5	1.0	3.4	8.6
Fire resistance duration = 120 minutes			M8	M10	M12	M16
Steel failure without lever arm						
Characteristic resistance	$V_{Rk,s,fi,120}$	(kN)	0.4	0.6	1.5	2.9
Steel failure with lever arm						
Characteristic bending resistance	$M_{Rk,s,fi,120}$	(kN)	0.4	0.8	2.4	6.1
Concrete pry-out failure						
k factor	k	-	1.0	1.0	2.0	2.0
In Eq. (5.6) of ETAG 001 Annex C, §5.2.2.3, the above values of k factor and the relevant values of $N_{Rk,c,fi}$ given in the above Annex 6 Table 8 have to be considered in the design						

Concrete edge failure

The characteristic resistance $V_{Rk,c,fi}^0$ in C20/25 to C50/60 concrete is determined by:
 $V_{Rk,c,fi}^0 = 0,25 \times V_{Rk,c}^0 (\leq R90)$ and $V_{Rk,c,fi}^0 = 0,20 \times V_{Rk,c}^0 (R120)$
 with $V_{Rk,c}^0$ initial value of the characteristic resistance in cracked concrete C20/25 under normal temperature according to ETAG 001, Annex C, §5.2.3.4.

Spit FIX Z torque-controlled expansion anchor

Characteristic values of shear load under fire exposure

Annexe 7

of European Technical Approval
ETA-99/0002